



K0026

# Spark Art

Creativity System™

# Easel



# Consumer Information

## ⚠️ WARNING

Warning - Choking Hazard  
Not recommended for children under  
3 years because it contains small  
parts that can be swallowed.

- Please keep this instruction sheet for future reference, as it contains important information.
- Requires three "AA" (LR6) **alkaline** batteries (not included) for operation.
- Adult assembly is required. Tool needed for assembly: Phillips screwdriver (not included).
- This product contains magnets. Do not use around items that are sensitive to or affected by magnetic fields.
- Wipe this toy with a clean cloth dampened with a mild soap and water solution. Do not immerse this toy.
- This toy has no consumer serviceable parts. Do not take this toy apart.

[www.service.fisher-price.com](http://www.service.fisher-price.com)

Call our Consumer Relations Department, toll-free at **1-800-432-5437**, 9 AM - 7 PM EST Monday through Friday and 11 AM - 5 PM EST Saturday. Hearing-impaired consumers using TTY/TDD equipment, please call 1-800-382-7470.

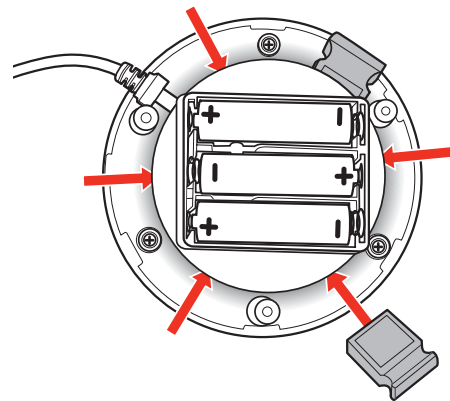
Write to us at: Fisher-Price® Consumer Relations,  
636 Girard Avenue, East Aurora, New York 14052

## Tips



- The Inspiration Pod with Pen works with the accessories wherever you go. Clip the Inspiration Pod to your belt or carry it along.
- We recommend that your child uses markers or other drawing tools in the dominant hand and the Inspiration Pen in the other hand.
- For best results, keep tip of the pen clean.

## Installing Chips (sold separately) into your Inspiration Pod

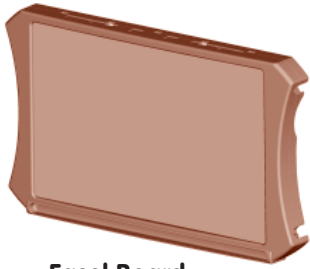


- Spark Art Creativity System™ Easel accessories (sold separately) include an Inspiration Chip. To install the Inspiration Chip, loosen the screws in the Inspiration Pod battery compartment door. Remove the door.
- Press the Inspiration Chip into one of the slots inside the Pod, as shown.

**Hint:** You can insert up to six Inspiration Chips inside the Inspiration Pod.

- Replace the door and tighten the screws.

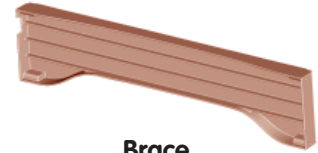
# Parts



Easel Board



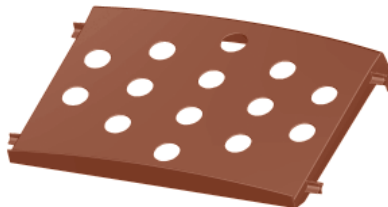
Artist's Tray



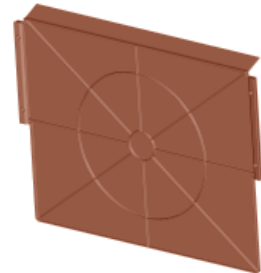
Brace



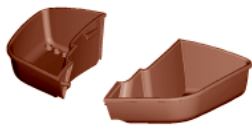
Cap



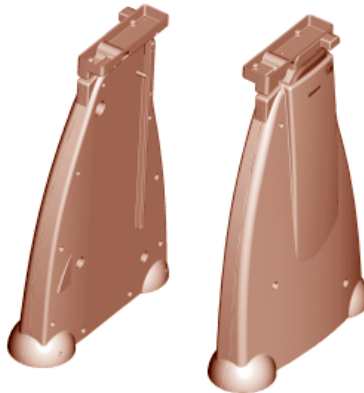
Storage Tray



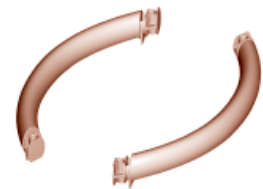
Back Panel



2 Accessory Bins



2 Legs



2 Handles



2 Clips

## Parts Not Shown

- 6 Dry-Erase Markers
- 2 Scene Starter Backgrounds
- 5 Color-By-Sound Activity Pages\*
- 12 Magic-Sound Magnets
- 2 Magic-Sound 3D Models

\* Additional color-by-sound activity pages sold separately and subject to availability.



Inspiration Pod with Pen



#6 x  $\frac{3}{4}$ " (1.9 cm) **Chrome** Screw – 21  
(Assembly steps 1, 4, 8, 10, 12 and 16)



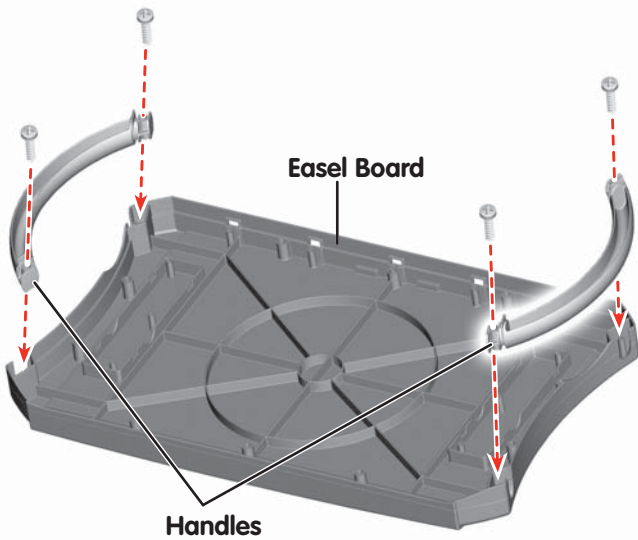
#8 x 1" (2.5 cm) **Gold Tone** Screw – 10  
(Assembly steps 5, 7 and 14)

**Both Shown Actual Size**

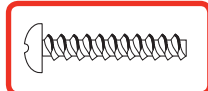
**Note:** Tighten and loosen all screws with a Phillips screwdriver. Do not over-tighten.



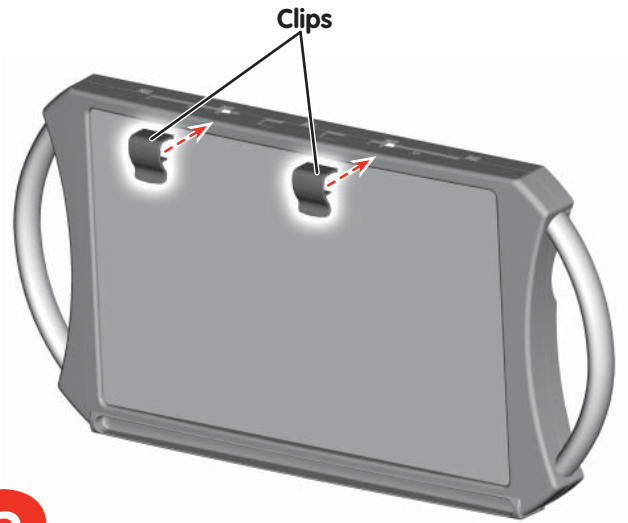
# Assembly



1

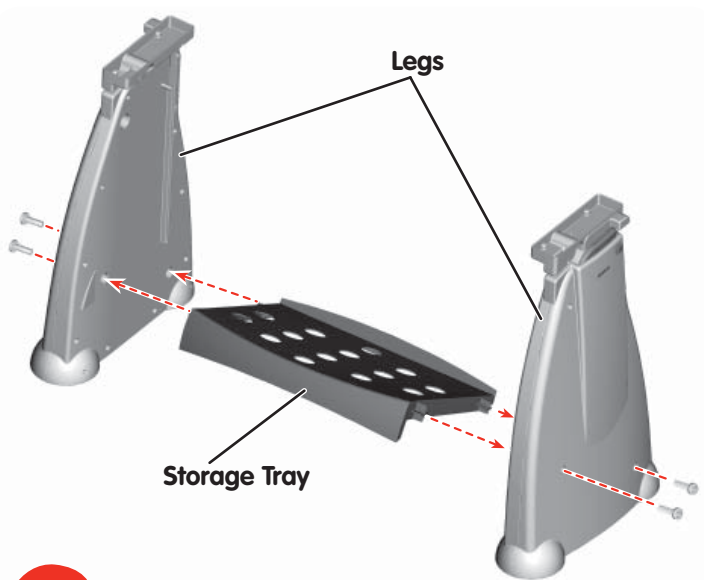


- Place the easel board face down.
- Fit the handles to the grooves in each side of the easel board.
- Insert two **#6 x 3/4" chrome** screws into each handle and tighten.

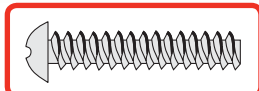


2

- Turn the easel board upright.
- **"Snap"** both clips to the front side of the easel board.



5



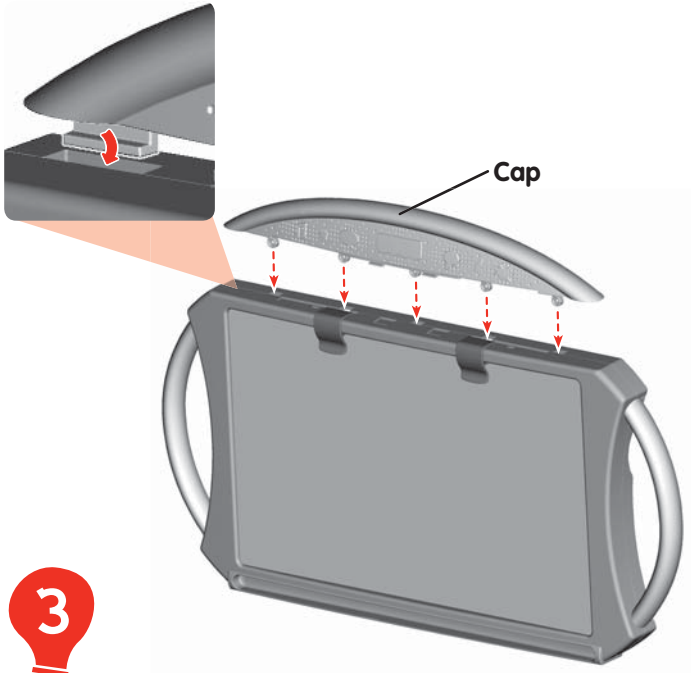
- Position the storage tray between the legs, as shown.
- Fit the pegs on the storage tray into the holes in the legs.
- Insert two **#8 x 1" gold tone** screws through each leg and into the storage tray. Tighten the screws.



6

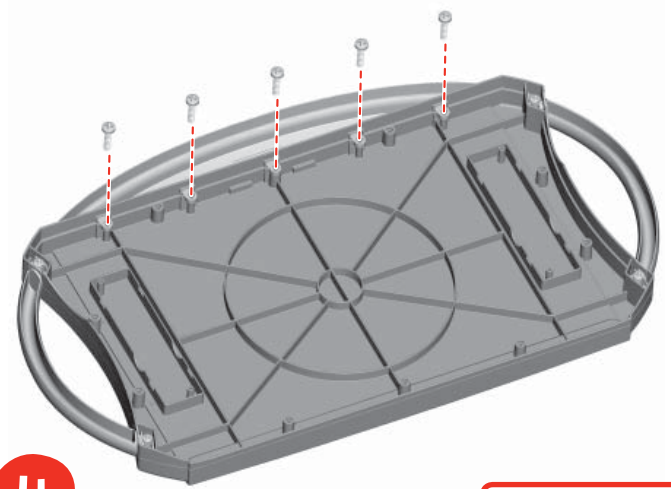
- Fit the pegs on the artist's tray into the holes in the legs.

# Assembly



3

- Fit the cap to the top of the easel board.
- Make sure the tab on each end of the cap fits into the slots in the top of the easel board.



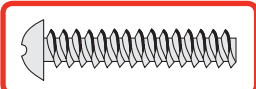
4



- Place the easel board face down again.
- Insert five **#6 x 3/4" chrome** screws into the easel board and tighten.
- Set the easel board assembly aside.



7



- First, insert two **#8 x 1" gold tone** screws through each leg and into the artist's tray. Tighten the screws.

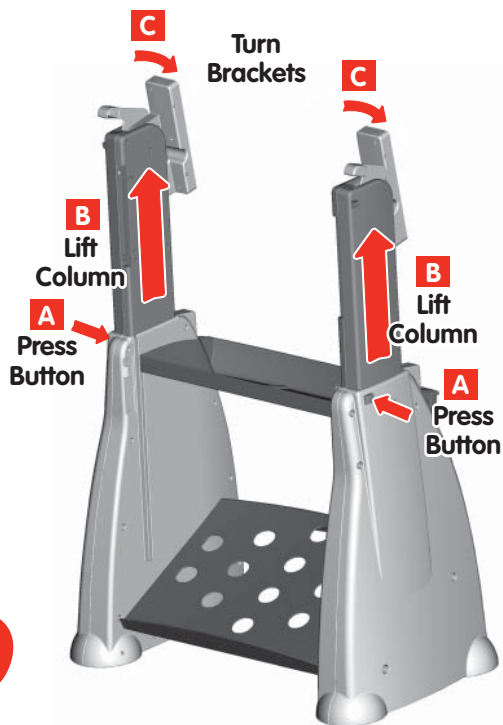


8



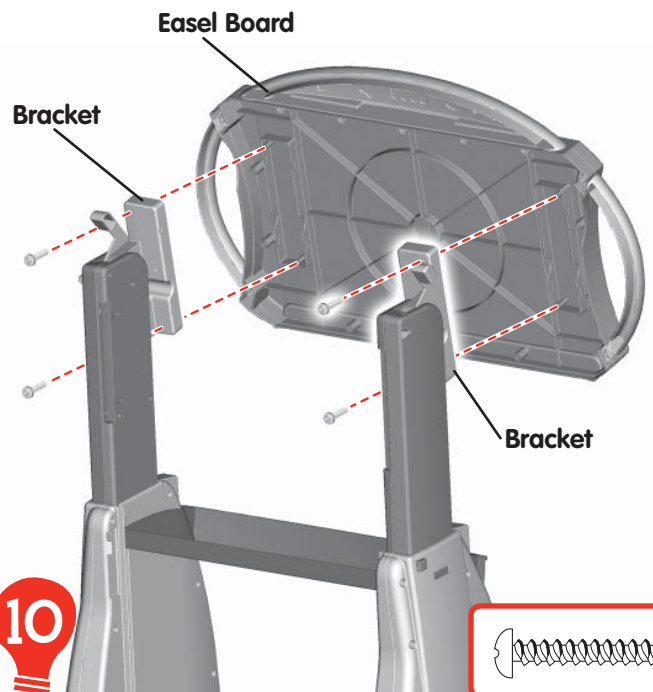
- Then, insert two **#6 x 3/4" chrome** screws through the artist's tray and into each leg. Tighten the screws.

# Assembly



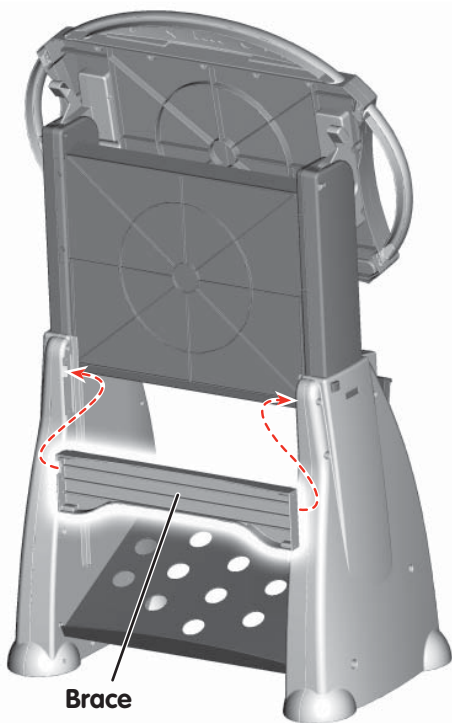
9

- Press the button on each leg **A**.
- Grasp the column inside each leg and lift to the highest position **B**.
- While holding the columns in place, turn the brackets until they "click" into position **C**.



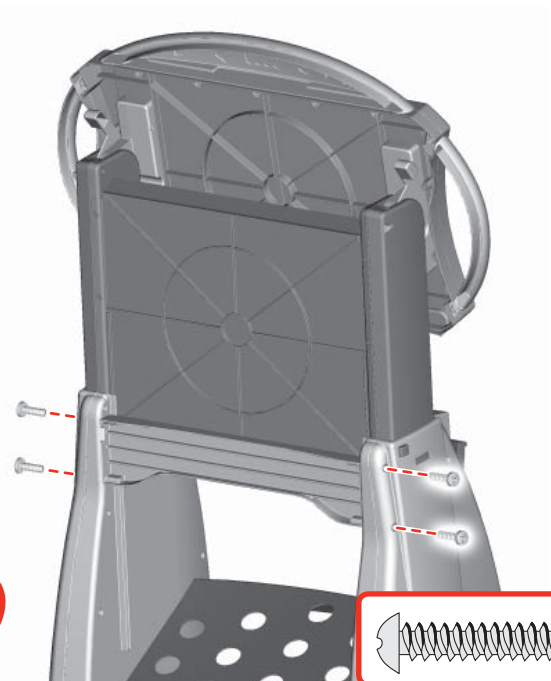
10

- Position the easel board upright.
- Fit the easel board to the brackets.
- Insert two **#6 x 3/4" chrome** screws into each bracket and tighten.



13

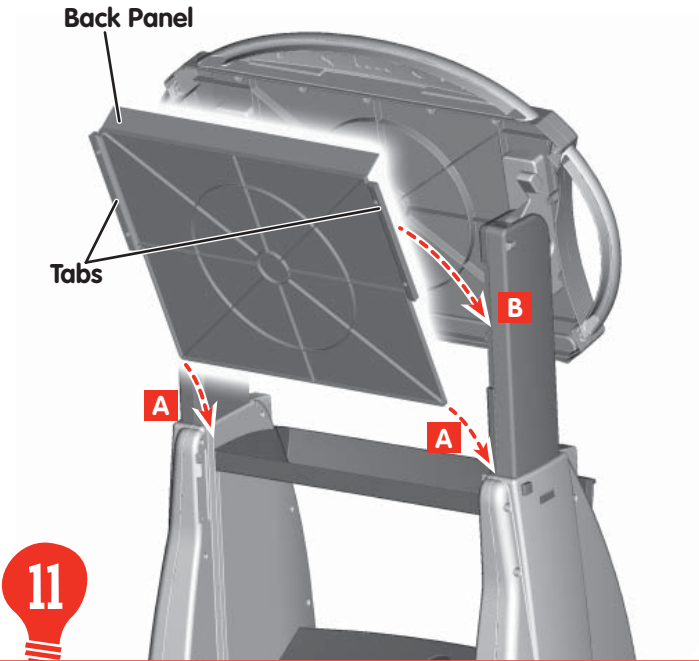
- With the ribbed side facing you, fit the brace to the legs.



14

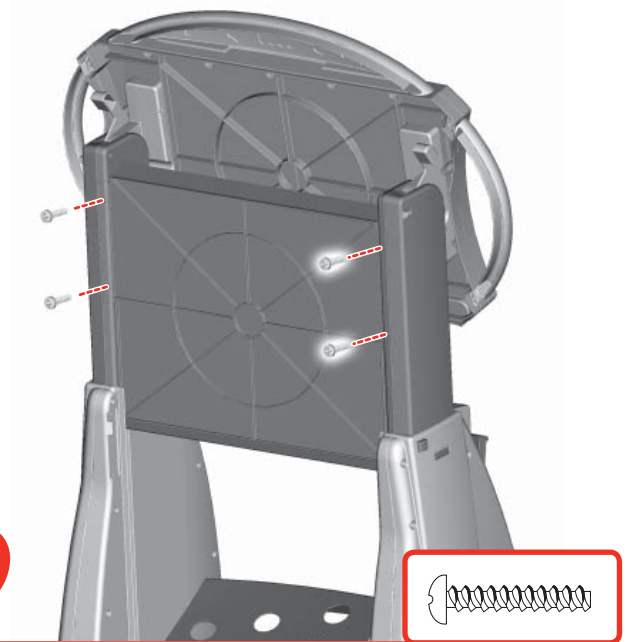
- Insert two **#8 x 1" gold tone** screws through each leg and into the brace. Tighten the screws.

# Assembly



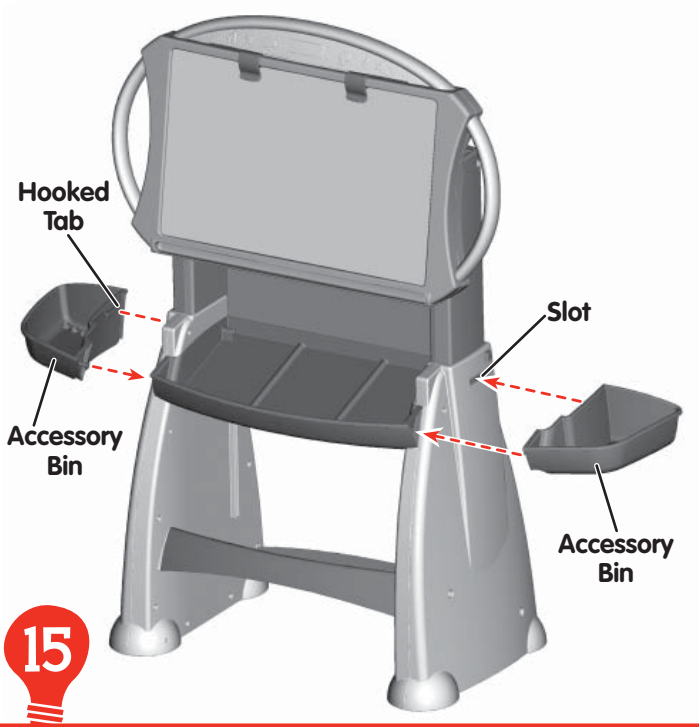
11

- Position the back panel with ribbed side facing you and the tabs at the top.
- First, fit the bottom edge of the back panel into the slot in the legs **A**. Then, fit the back panel tabs onto the columns **B**.



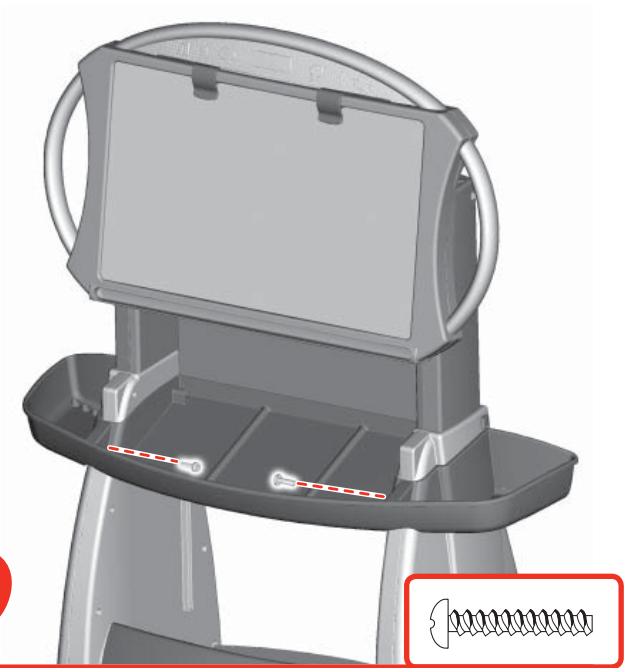
12

- Insert four **#6 x 3/4" chrome** screws into the back panel and tighten.



15

- Fit the hooked tab on each accessory bin into the slot in each leg.

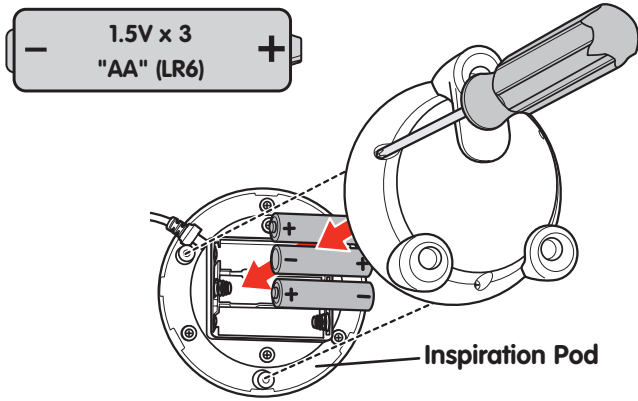


16

- Insert two **#6 x 3/4" chrome** screws into the artist's tray and each accessory bin. Tighten the screws.



# Battery Installation



- Loosen the screws in the battery compartment door with a Phillips screwdriver. Remove the battery compartment door.
- Insert three "AA" (LR6) **alkaline** batteries.

**Hint:** We recommend using **alkaline** batteries for longer battery life.

- Replace the battery compartment door and tighten the screws.
- When sounds become faint or stop, it's time for an adult to change the batteries!



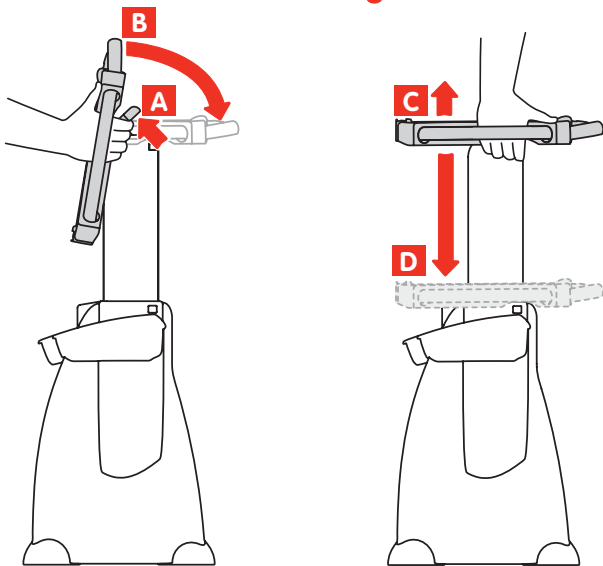
- Protect the environment by not disposing of this product with household waste (2002/96/EC). Check your local authority for recycling advice and facilities (Europe only).

# Battery Safety Information

In exceptional circumstances, batteries may leak fluids that can cause a chemical burn injury or ruin your product. To avoid battery leakage:

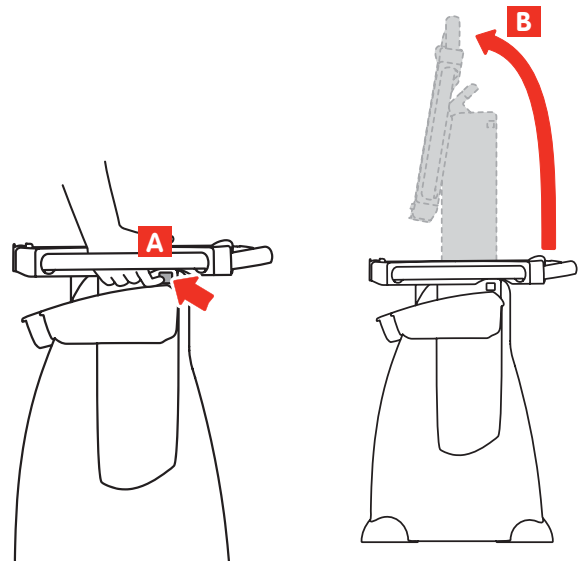
- Do not mix old and new batteries or batteries of different types: alkaline, standard (carbon-zinc) or rechargeable (nickel-cadmium).
- Insert batteries as indicated inside the battery compartment.
- Remove batteries during long periods of non-use. Always remove exhausted batteries from the toy. Dispose of batteries safely. Do not dispose of the product in a fire. The batteries inside may explode or leak.
- Never short-circuit the battery terminals.
- Use only batteries of the same or equivalent type, as recommended.
- Do not charge non-rechargeable batteries.
- Remove rechargeable batteries from the product before charging.
- If removable, rechargeable batteries are used, they are only to be charged under adult supervision.

# Convert from Easel to Creativity Table



- Fit your hands through the handles and squeeze the release levers **A**.
- Turn the easel board down **B**.
- Lift the easel board slightly **C** and then lower it completely **D**.

# Convert from Creativity Table to Easel



- Fit your hands through the handles and press and hold both buttons under the easel board **A**.
- Lift and turn the easel board until it "clicks" into the highest position **B**.



# FCC Statement

## United States Only

This equipment has been tested and found to comply with the limits for a Class B digital device, pursuant to Part 15 of the FCC Rules. These limits are designed to provide reasonable protection against harmful interference in a residential installation. This equipment generates, uses and can radiate radio frequency energy and, if not installed and used in accordance with the instructions, may cause harmful interference to radio communications. However, there is no guarantee that interference will not occur in a particular installation. If this equipment does cause harmful interference to radio or television reception, which can be determined by turning the equipment off and on, the user is encouraged to try to correct the interference by one or more of the following measures:

- Reorient or relocate the receiving antenna.
- Increase the separation between the equipment and receiver.
- Consult the dealer or an experienced radio/TV technician for help.

Note: Changes or modifications not expressly approved by the manufacturer responsible for compliance could void the user's authority to operate the equipment.

# Notes About Dry-Erase Markers

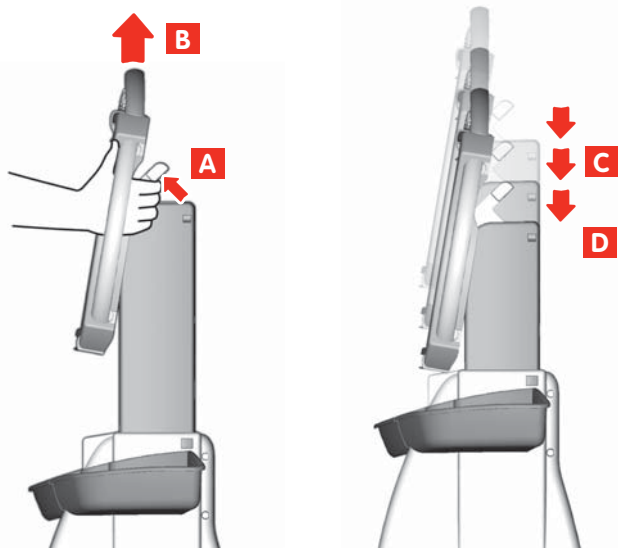
- Use only the dry-erase washable markers that came with this toy.
- Dampen a soft cloth with water and wipe to clean the easel board or backgrounds.

## IMPORTANT!

- To completely remove marker residue from the easel board or backgrounds, dampen the eraser and wipe after each use.
- Markers conform to ASTM D4236. Avoid contact with carpet, clothing, walls and furniture. Do not use permanent markers on the easel surface or dry-erase accessories. Recap markers after use. Adult supervision is recommended.
- To remove marker from the skin, simply use soap and water.

# Easel Height Adjustment

Easel Adjusts to Three Different Heights!



- Fit your hands through the handles and squeeze the release levers **A**.
- Lift the easel board **B** and let go of the release levers.
- Lower the easel board until it **"clicks"** into the middle height position **C** or the lowest height position **D**.
- To raise the easel board to a higher position again, simply lift until it **"clicks"** into place.


# Spark Imagination and


Use the Inspiration Pen on the easel, scene starter background, color-by-sound activity pages to reveal interactive voice projects.

Use the tip of the pen to adjust volume higher or lower.


Slide the power switch on ● or off ○.


Use the tip of the pen to "read" areas or objects on scene starter backgrounds, magic-sound magnets or magic-sound 3D models.

 **Create** - Listen to fun sound effects.

 **Discover** - Listen to items identified.

Use the tip of the pen to "read" areas or objects on color-by-sound activity pages.

 **Create** - Listen to coloring suggestions or fun sound effects.

 **Discover** - Listen to fun sound effects.

Select to hear drawing suggestions.

 **Colors**

 **Sounds**

 **Objects**

Repeat Last Sound

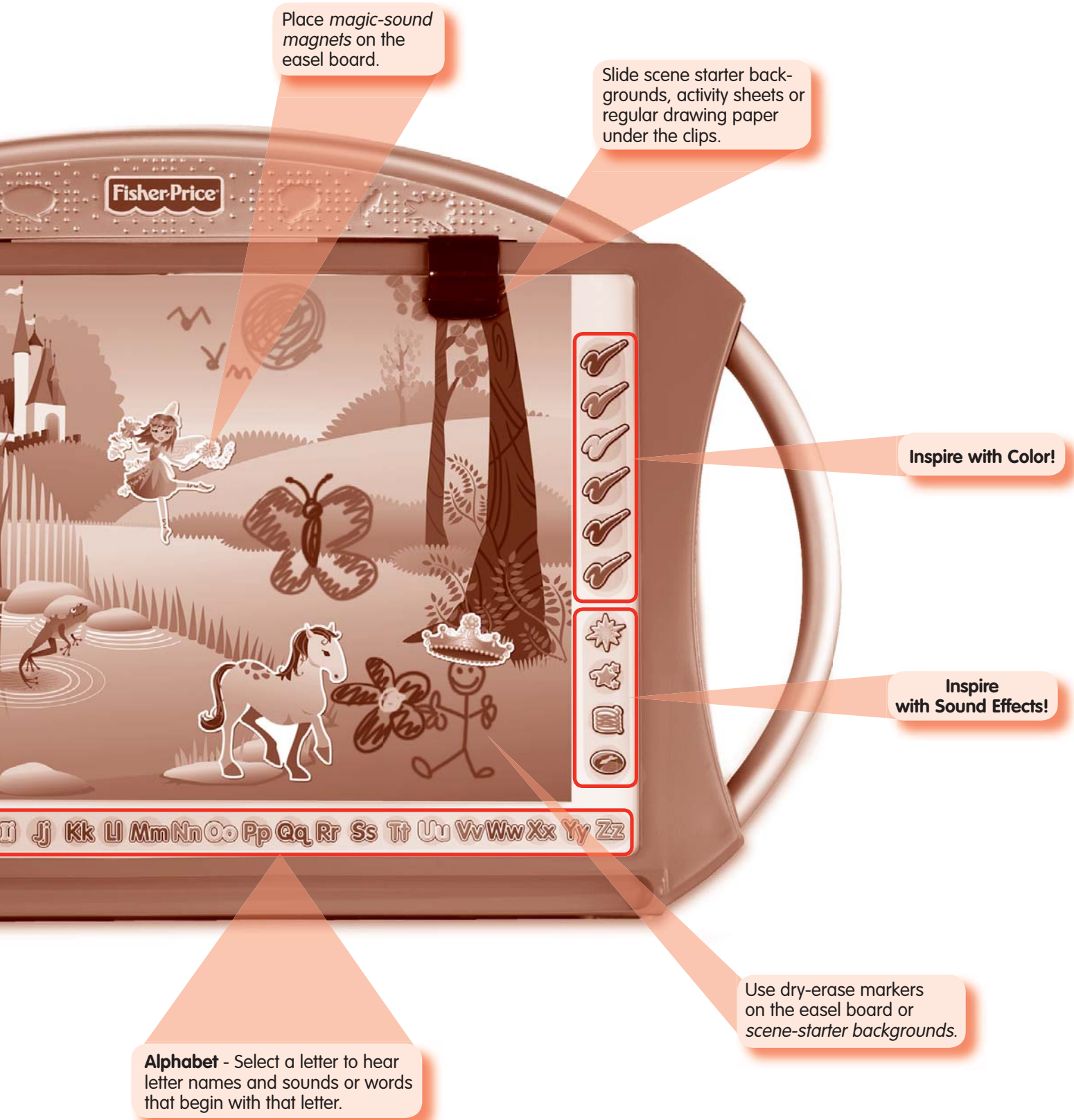
Adjust Volume

Optical reader technology lets the Inspiration Pen "read" hidden codes on dry-erase scene starter backgrounds and more!

**Note about color-by-sound activity pages:** These pages contain hidden codes that cannot be seen by copiers. Only the original pages can be "read" by the Inspiration Pen.

# and Inspire Creativity!

ounds, magic-sound magnets, magic-sound 3D models, or prompts and sound effects that guide and encourage creativity!



Place *magic-sound magnets* on the easel board.

Slide scene starter backgrounds, activity sheets or regular drawing paper under the clips.

Inspire with Color!

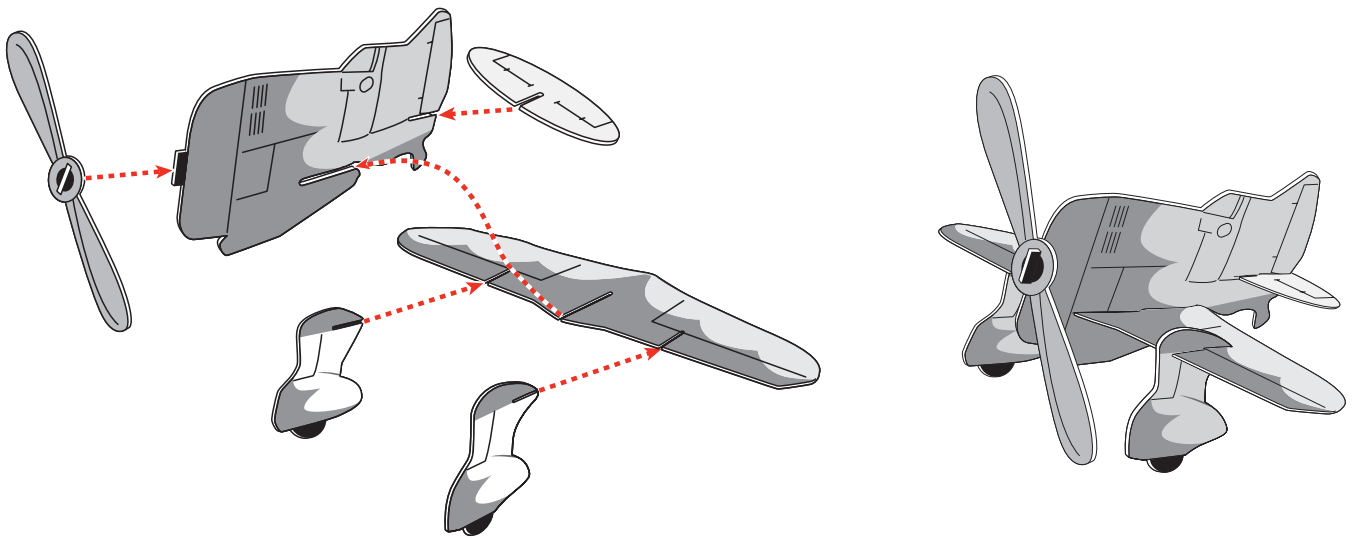
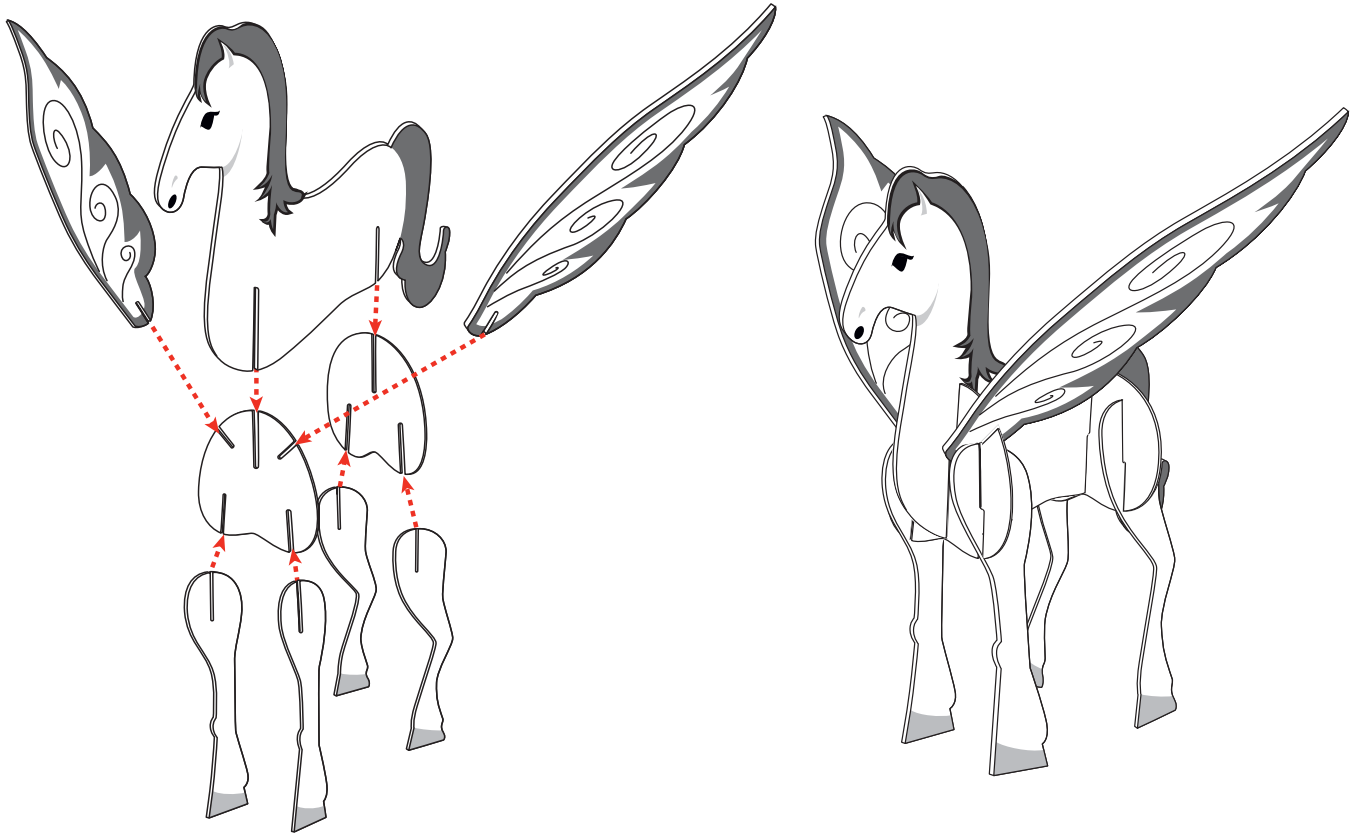
Inspire with Sound Effects!

**Alphabet** - Select a letter to hear letter names and sounds or words that begin with that letter.

Use dry-erase markers on the easel board or *scene-starter backgrounds*.



# Build the 3D Models



## For countries outside the United States:

**CANADA:** Questions? 1-800-432-5437. Mattel Canada Inc., 6155 Freemont Blvd., Mississauga, Ontario L5R 3W2; [www.service.mattel.com](http://www.service.mattel.com).

**GREAT BRITAIN:** Mattel UK Ltd, Vanwall Business Park, Maidenhead SL6 4UB. Helpline: 01628 500303; [www.service.mattel.com/uk](http://www.service.mattel.com/uk)

**AUSTRALIA:** Mattel Australia Pty. Ltd., 658 Church Street, Locked Bag #870, Richmond, Victoria 3121 Australia. Consumer Advisory Service 1300 135 312.

**NEW ZEALAND:** 16-18 William Pickering Drive, Albany 1331, Auckland.

**ASIA:** Mattel East Asia Ltd, Room 1106, South Tower, World Finance Centre, Harbour City, Tsimshatsui, HK, China.